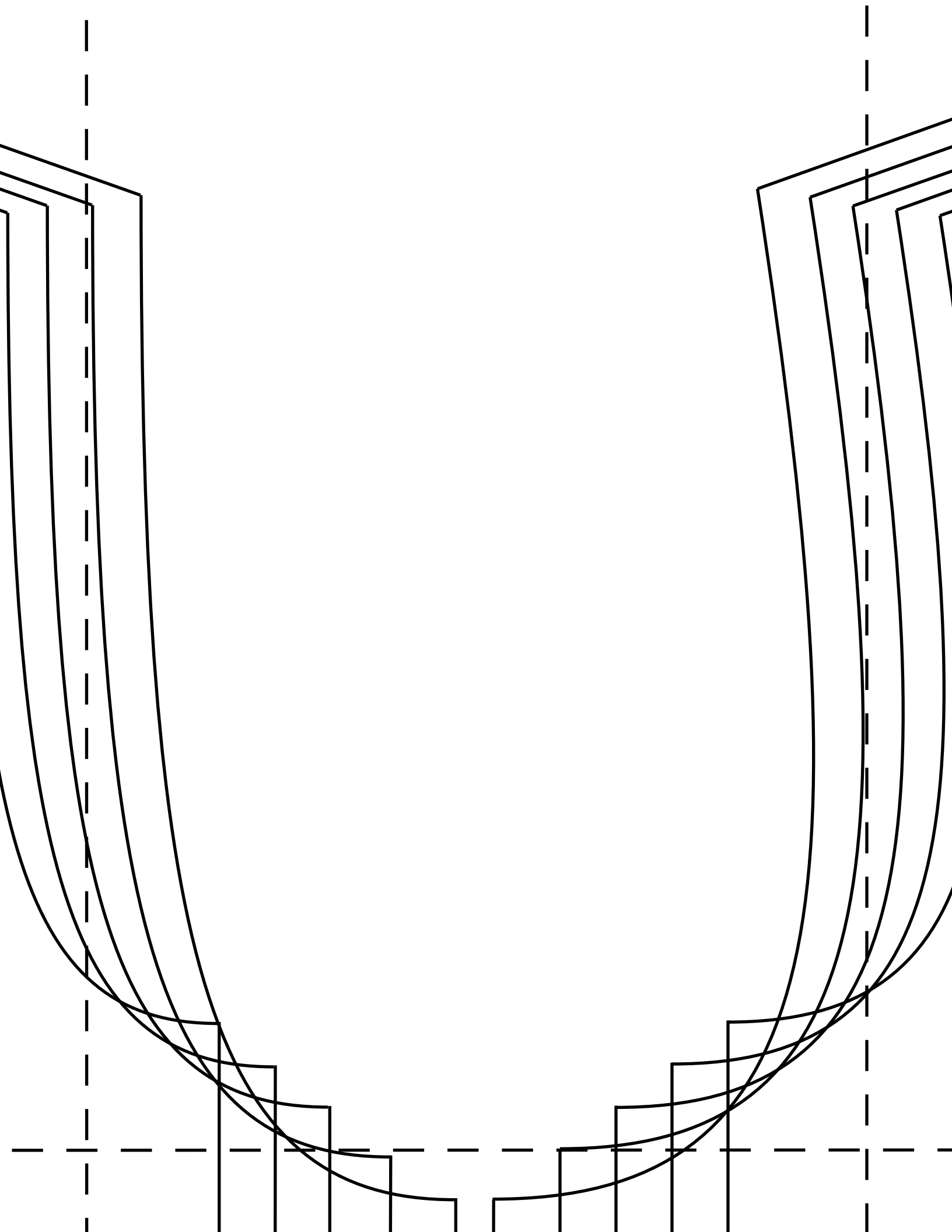
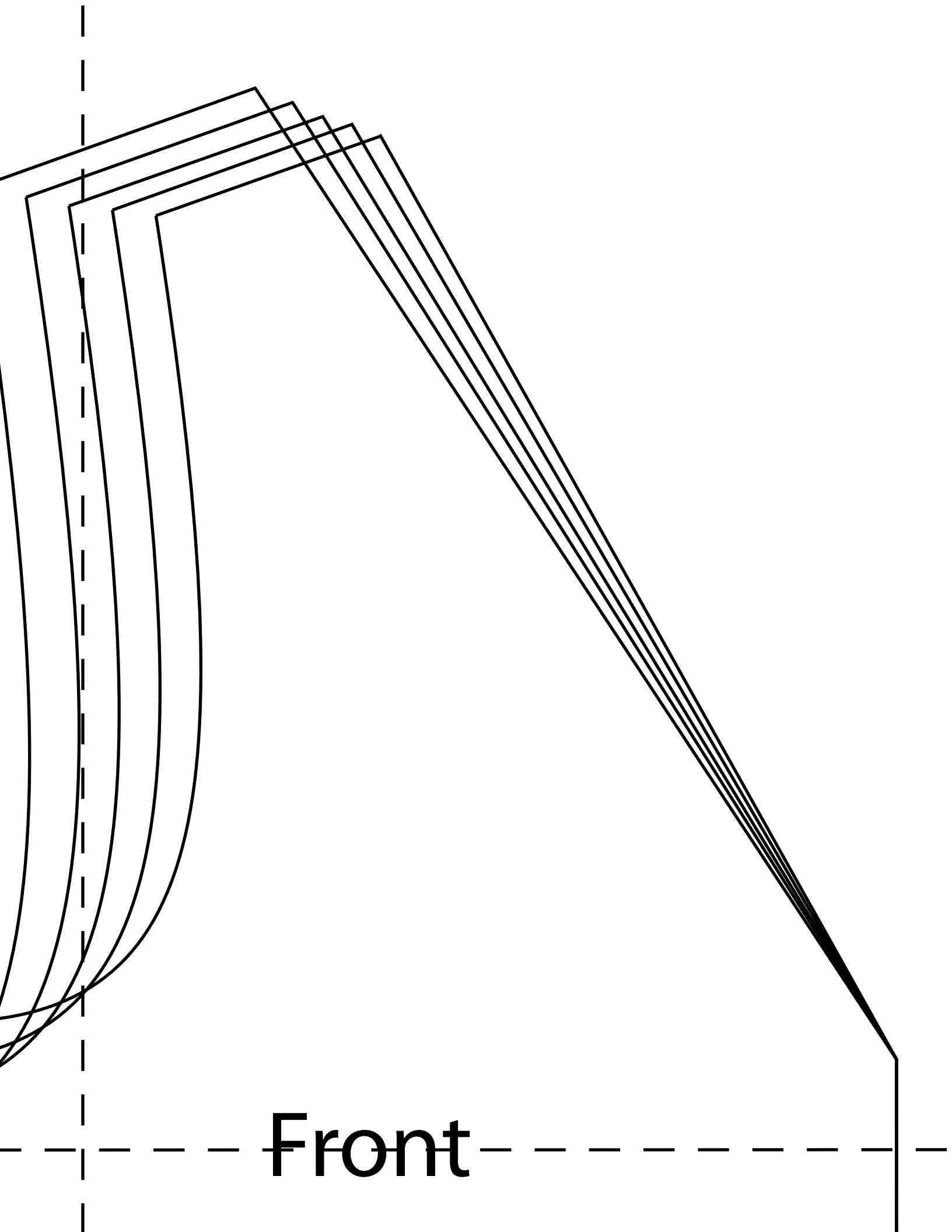


Back

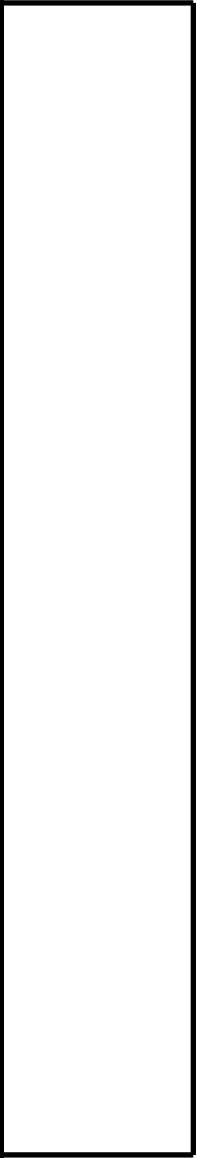




Front

Back

Center Fold



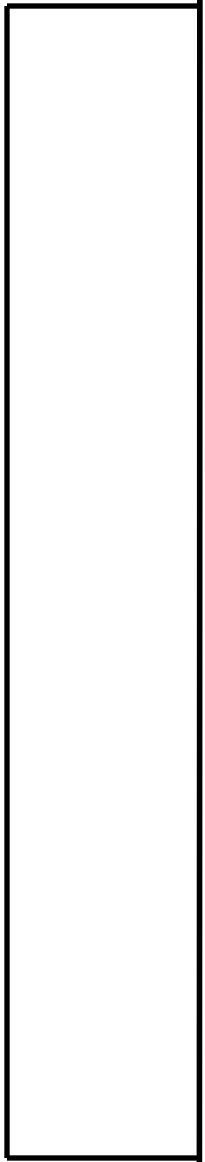
XS S M L XL

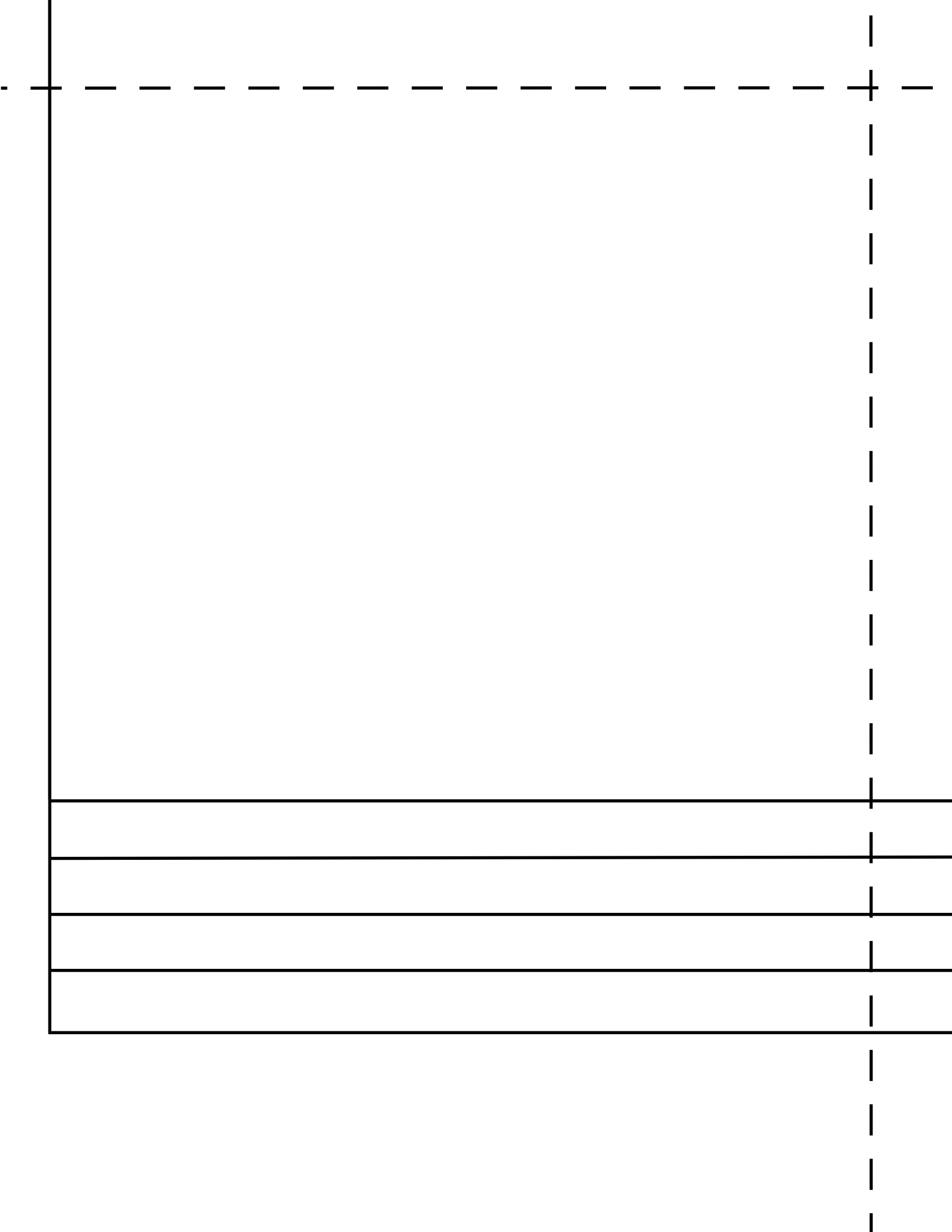
The image shows a technical drawing of a garment pattern, likely a bodice or a similar upper-body piece. It features a series of vertical lines representing the pattern's structure. A horizontal dashed line is drawn across the top, and another horizontal dashed line is drawn near the bottom. The pattern is divided into sections by vertical lines, and the size labels XS, S, M, L, and XL are placed within these sections. The labels are arranged in two rows: the first row contains XS, S, M, L, and XL, and the second row contains XL, L, M, S, and XS. The pattern is symmetrical about a central vertical axis.

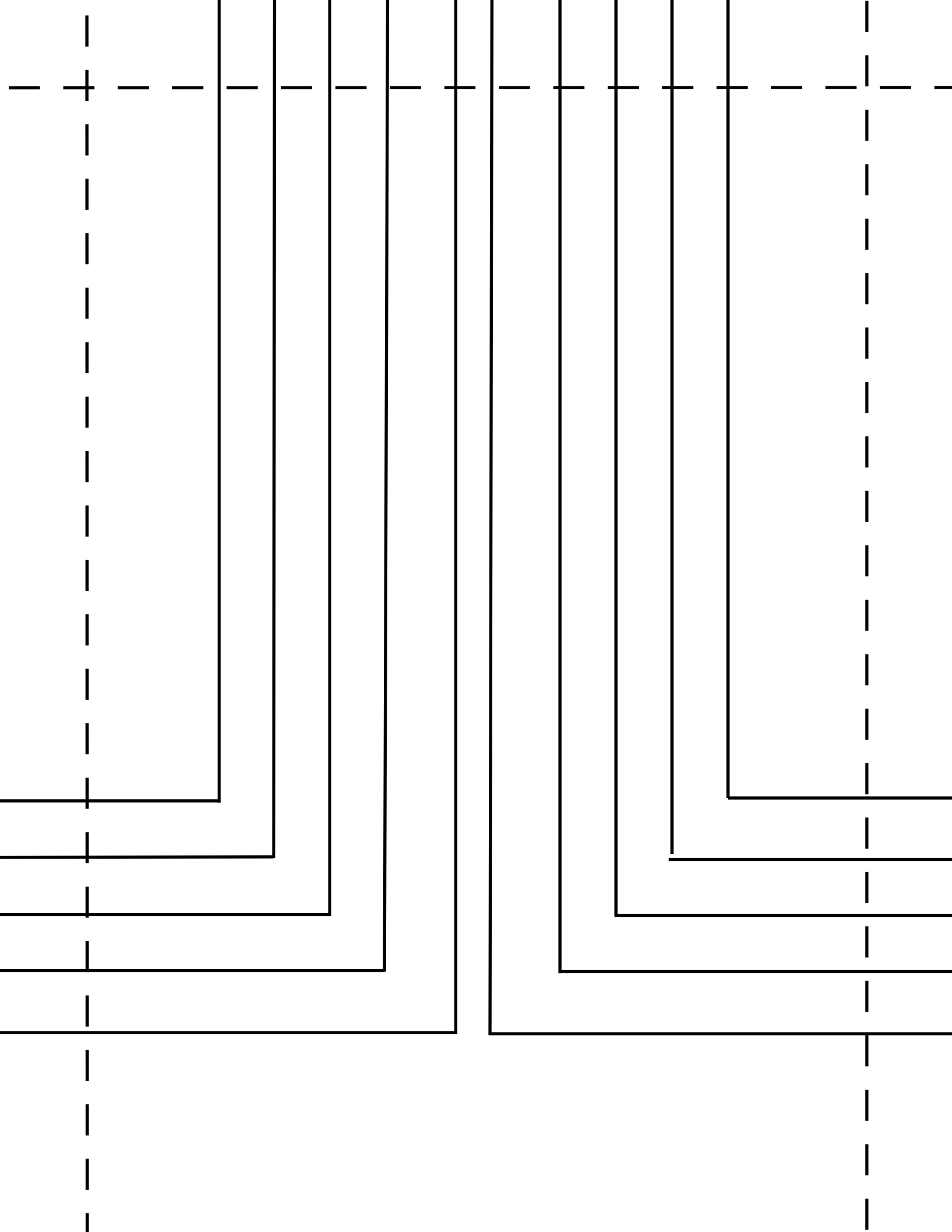
XL L M S XS

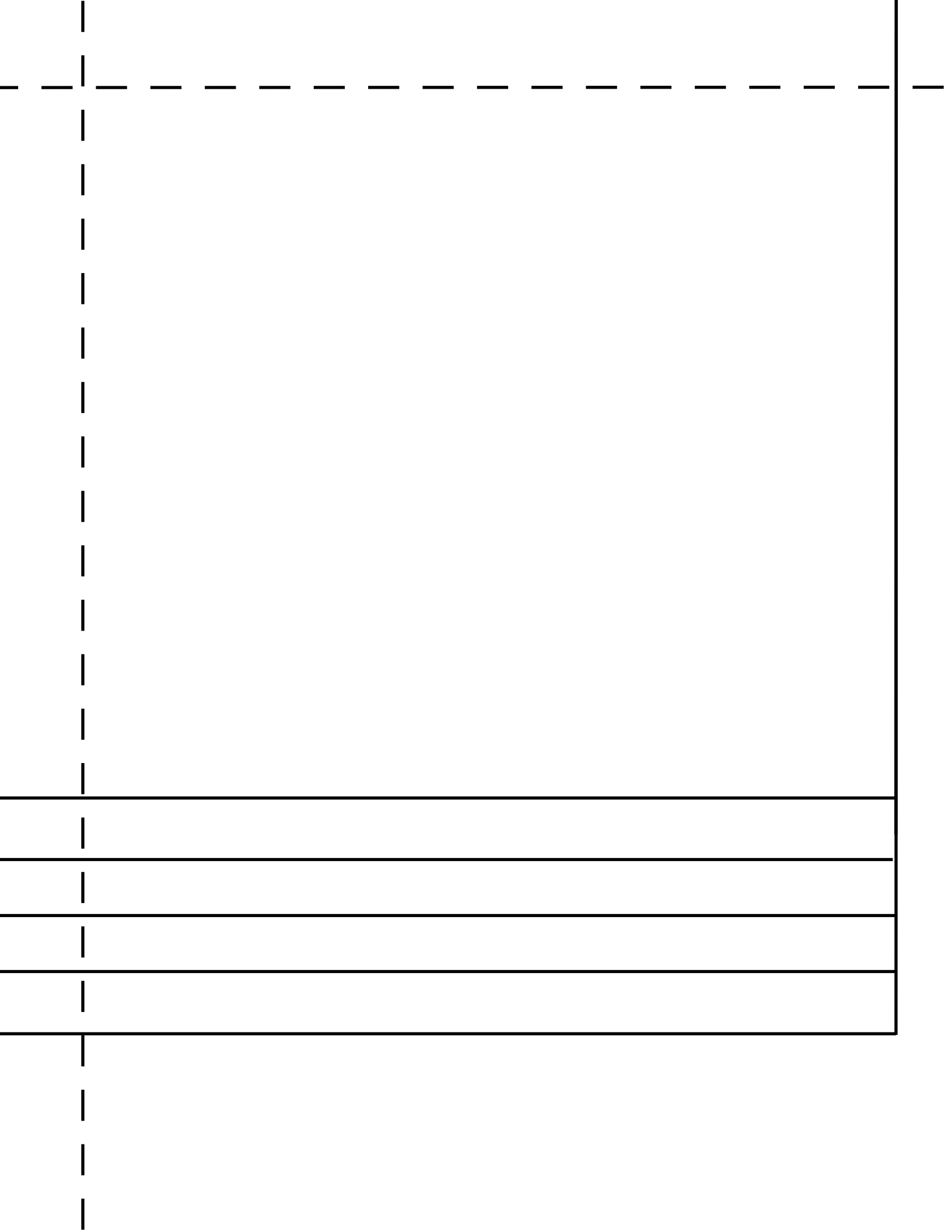
Front

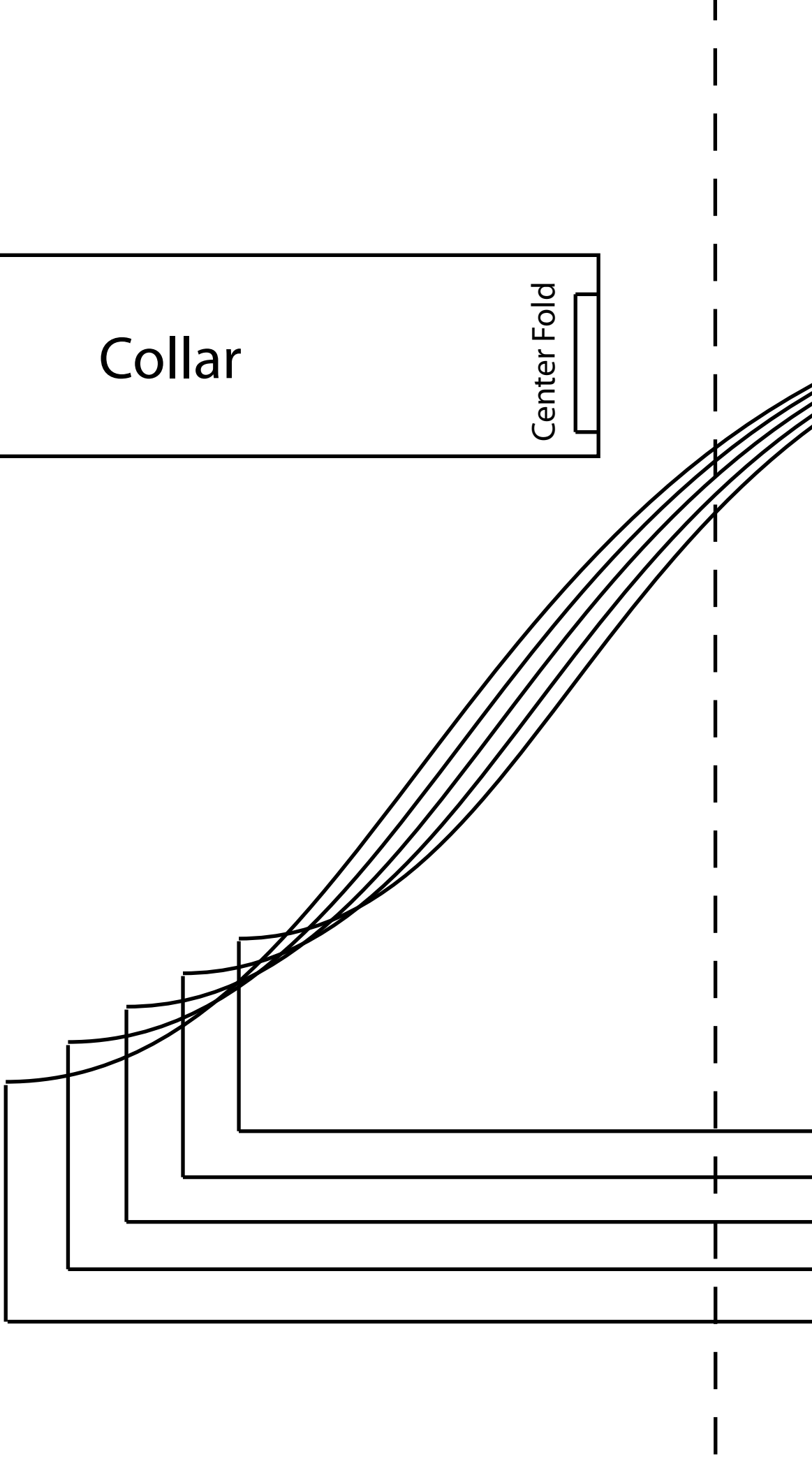
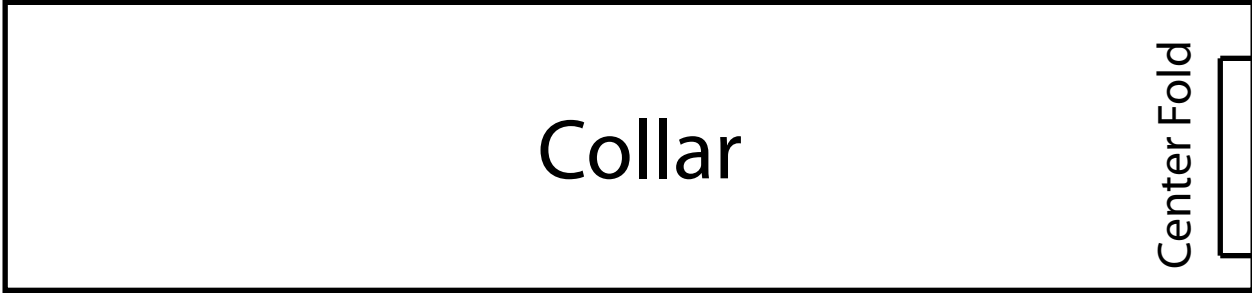
Center Fold

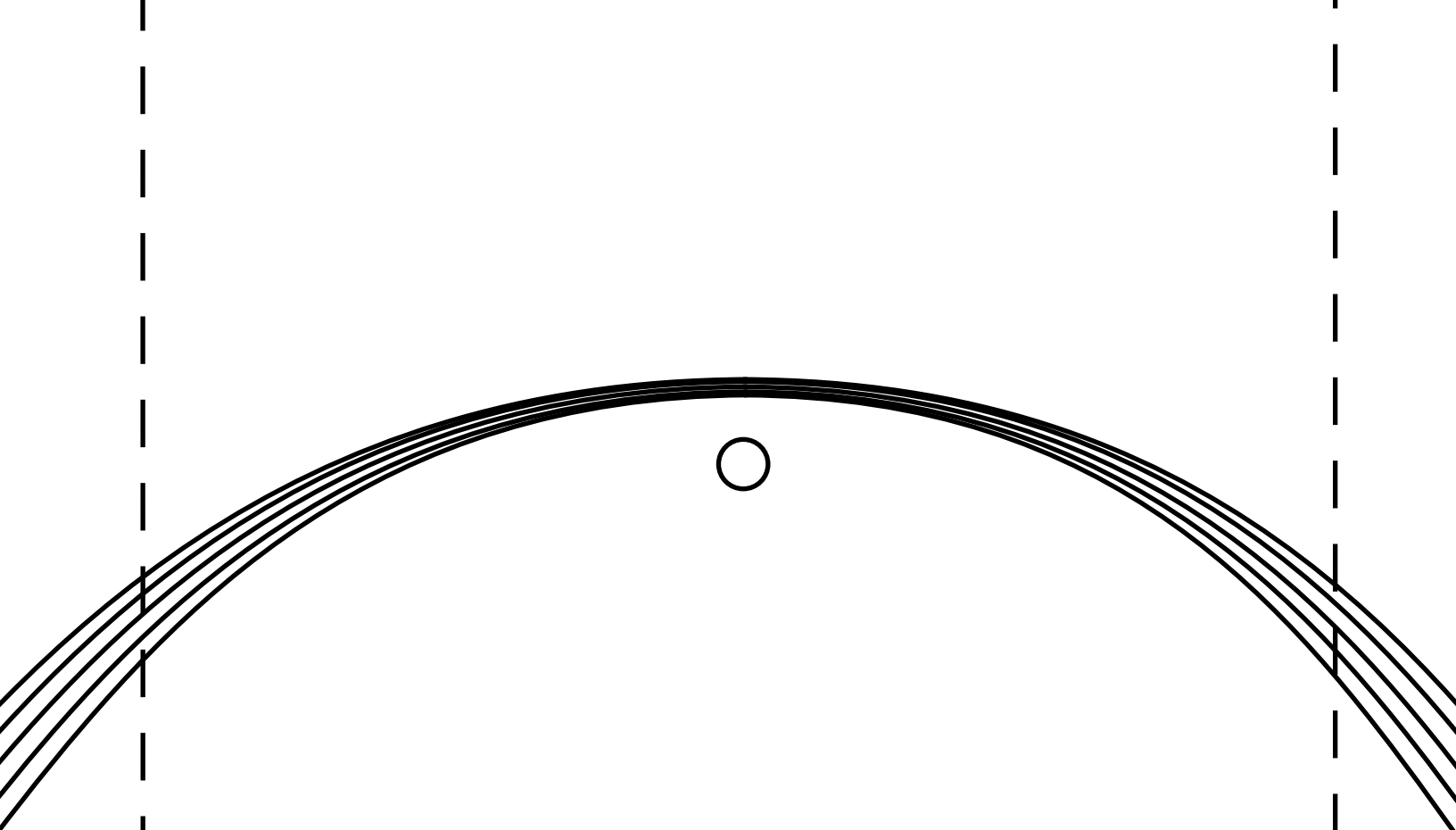












Sleeve
Bottom
Layer

Cut 2

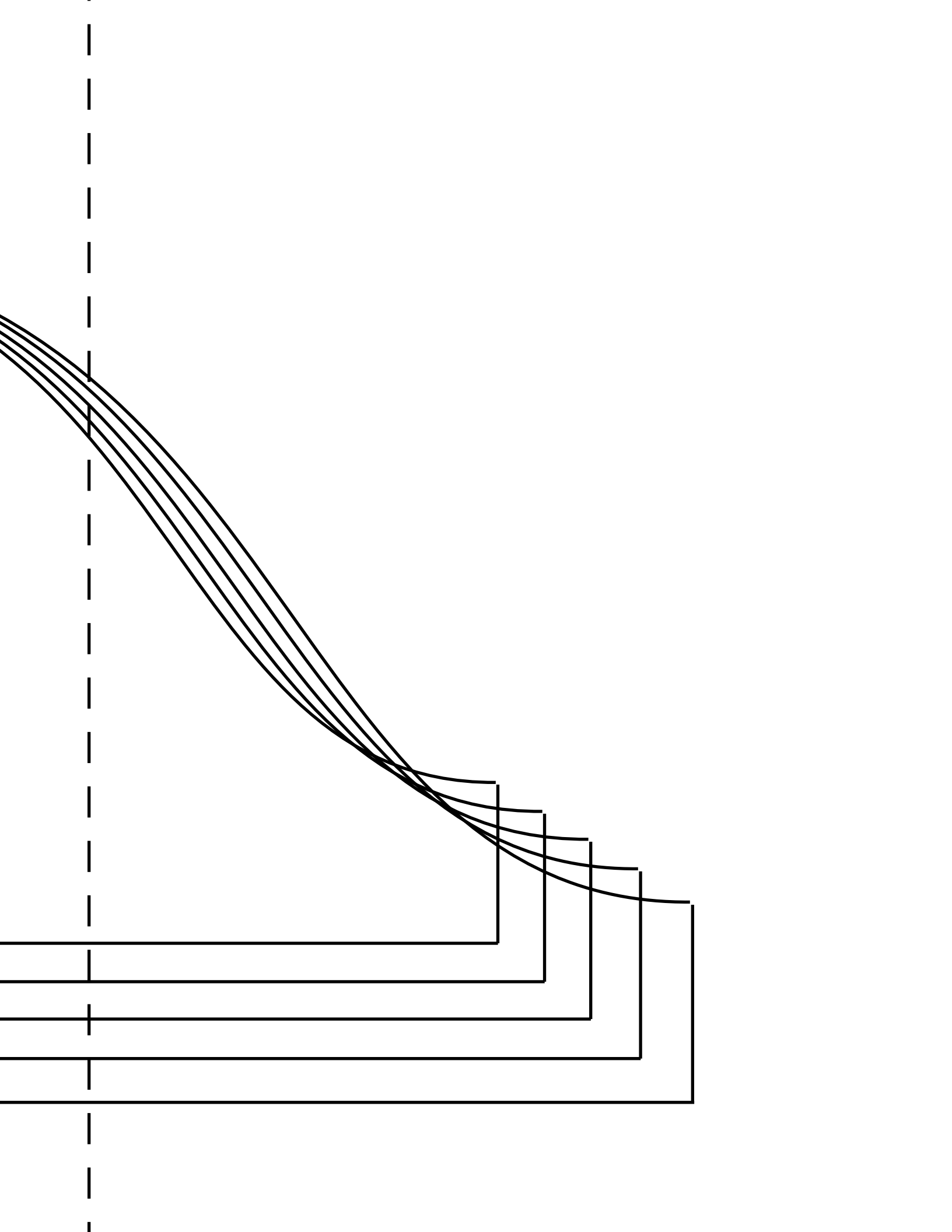
XS

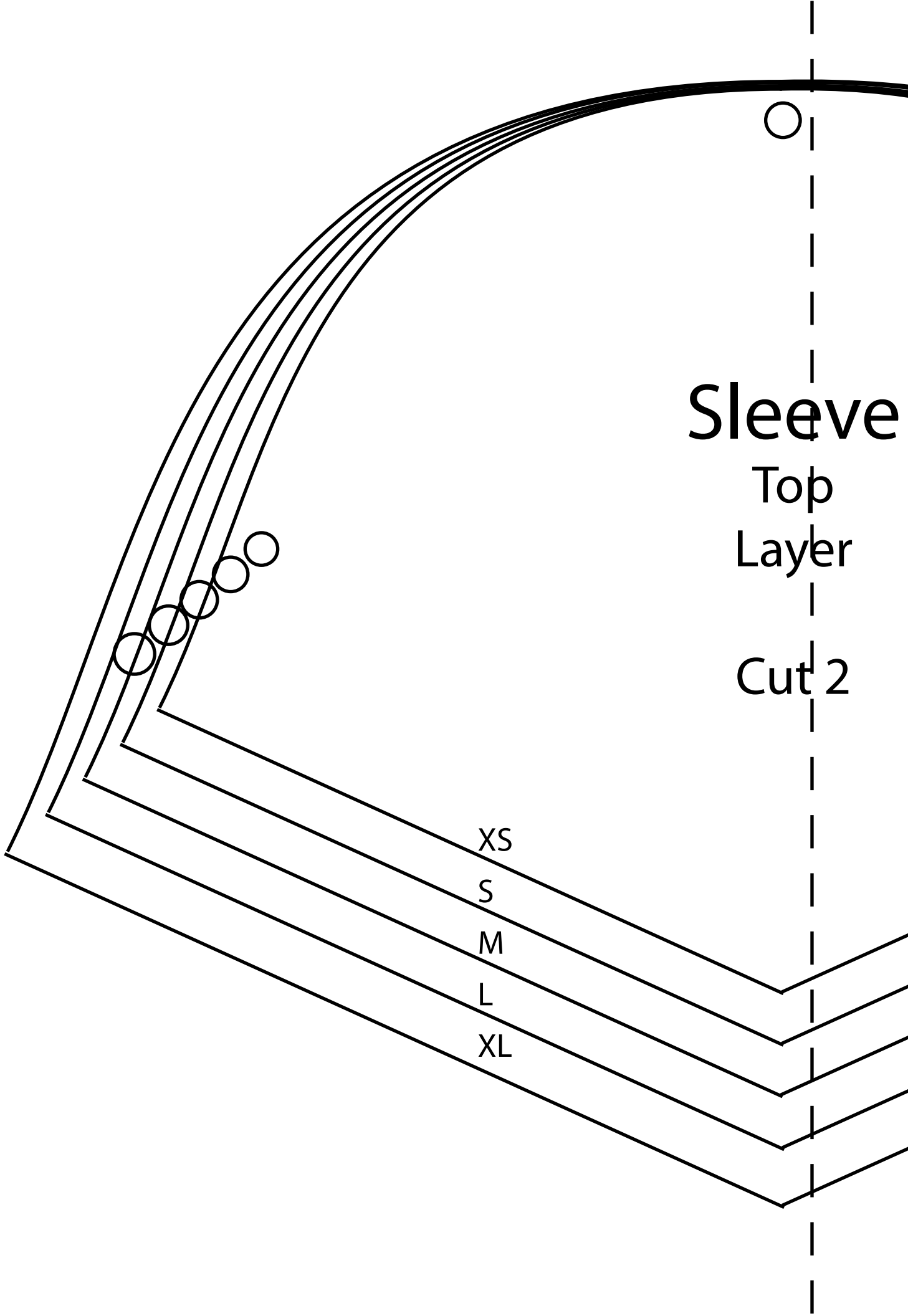
S

M

L

XL





Sleeve

Top
Layer

Cut 2

XS

S

M

L

XL

